

# LENCO Pro Control™ Data Sheet

## Pro Control Auto, Nothing Comes Close.



### AUTO FEATURES

- **Industry-leading Auto-Levelling**—A game-changer for boat stability, boasting a 74% improvement\* against no system, outperforming the leading interceptor brand\*\* by 25%.
- **A more comfortable, cushioned ride**—Reduce "slams" and "thuds" with an industry-best 24% reduction of re-entry impact\*.
- **Confidence offshore**—Pro Control rivals far more expensive products offshore, delivering an impressive 15% pitch reduction\* in dynamic seas.
- **Faster reaction = instant control**—Improved holeshot and response times deliver near-instant response to the helm for enhanced control.
- **Built to last**—Best-in-class 5-year warranty gives peace of mind to both boatbuilders and end users. Simple maintenance extends lifespan.

\*vs No System - Baseline \*\*vs Competitors

For more information please visit [lencomarine.navico.com](http://lencomarine.navico.com).

## Pro Control Assist, Control in your hands.



### ASSIST FEATURES

- **Industry-leading connectivity**—CAN based protocol comes as standard, meaning ease of system integration and installation.
- **Ease of use - precise control**—Smart, sleek intuitive dial controller, designed to provide responsive precision controls.
- **Instant access to favorite settings**—Programmable memory position recall capabilities allow access to your two preferred trim tab settings at the touch of a button.
- **Hands free holeshot**—Speed based automatic deployment of the trim tabs - engage throttle and tabs deploy to get boat on plane quicker, plus automatic retract at slower speeds with no manual operation required.
- **Built to last**—Best-in-class 5-year warranty gives peace of mind to both boatbuilders and end users. Simple maintenance extends lifespan.

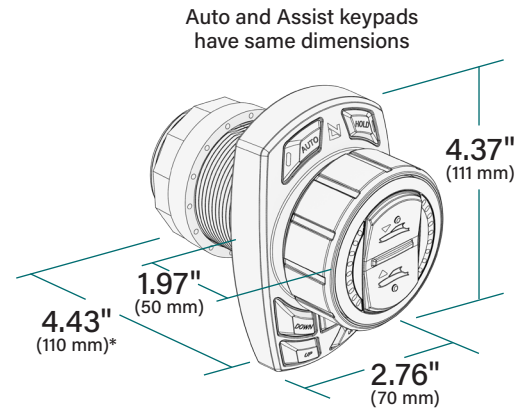
Kit Type	Pro Control Auto	Pro Control Assist
Auto Pitch/Roll Hold	✓	
Manual Pitch/Roll Control	✓	✓
New Intuitive Controller	✓	✓
LED Position Indication	✓	✓
N2K Integration	✓	✓
Flybridge Capability	✓	✓
IMU Included	✓	
Uses GPS Data	✓	✓
SmartCraft Compatible	✓	✓
Uses Engine Data	✓	✓
Planing Assist	✓	✓
Auto Tab Retract	✓	✓
Favorite Tab Position Recall	Not Needed-Fully Automatic	✓
Adjustable Vessel Attitude Hold	✓	
User Sensitivity Adjustment	✓	✓
Service Tool Compatibility	✓	✓



# LENCO Pro Control™ Data Sheet

## Pro Control Keypads

Model	Pro Control Auto	Pro Control Assist
Part Number	Helm Kit: <b>15172-107</b> Helm Replacement: <b>15174-107</b> Flybridge Kit: <b>15176-107</b> Flybridge Replacement: <b>15178-107</b>	Helm Kit: <b>15173-106</b> Helm Replacement: <b>15175-106</b> Flybridge Kit: <b>15177-107</b> Flybridge Replacement: <b>15179-106</b>
Footprint (LxWxH)	4.37" x 2.76" x 1.97" (111 mm x 70 mm x 50 mm)	
Depth at Rear	4.43" (110 mm) *including wiring allowance	
Supply Voltage	9-16V DC	
Max Current Draw (L2K)	300mA (LEN = 6)	300mA (LEN = 6)
Max Current Draw (N2K)	5mA (LEN = 1)	N/A
Max Current Draw (SmartCraft)	5mA	N/A
Operating Temperature	10.4°F to 131.0°F (-12°C to 55°C)	
Storage Temperature	-40°F to 176°F (-40°C to 80°C)	
Water Ingress Protection	Front IPX6, Rear IPX5 (when installed)	
Compass Safe Distance	7.09" (180 mm)	
Weight	0.64 lbs (0.29 kg)	0.51 lbs (0.23 kg)
Mounting	Mounting hole: 2-1/16" holesaw Method: M52 x 2 lock nut (supplied)	
Helm Thickness Compatibility	Min 3/4" (19 mm)—max 1-5/8" (41 mm)	
Compliance	CE (2006/42/EC – Machinery Directive; 2014/30/EU – EMC Directive; 2011/65/EU – RoHS Directive), RCM, CAN ICES-3(B)/NMB-3(B), FCC Part 15 Subpart B	
Certifications	NMEA®, BS EN 60945:2002, BS EN ISO 8846:2017	



Hole size should be 2-1/16" (53 mm).

## SD Pro Actuators

Part Number	15187-001	15188-001	15189-001	15190-001
Pin to Pin	10"	10.5"	11.5"	12"
Overall Length	10.8"	11.3"	12.3"	12.8"
Stroke Length	2.25"	2.25"	2.25"	4.25"
Operating Speed @ 125 lbf	≥ 0.7 ips	≥ 0.7 ips	≥ 0.7 ips	≥ 0.7 ips
Operating Speed @ 250 lbf	≥ 0.5 ips	≥ 0.5 ips	≥ 0.5 ips	≥ 0.5 ips
Position Precision (% of Stroke Length)	1%	1%	1%	1%
Size Envelope - Width x Depth	2.6" x 2.6"	2.6" x 2.6"	2.6" x 2.6"	2.6" x 2.6"
Amp. Draw @ 50 lbf Load	< 5 A	< 5 A	< 5 A	< 5 A
Amp. Draw @ 500 lbf Load	< 14 A	< 14 A	< 14 A	< 14 A
NMEA 2000 Integration Control & Position Output	Yes	Yes	Yes	Yes
Max. Load Capability - Push/Pull (lbf)	750 / 400	750 / 400	750 / 400	750 / 400
Operating Temperature	-77°F to 140°F (-25°C to 60°C)			
Storage Temperature	-104°F to 185°F (-40°C to 85°C)			
Operative Voltage	9-16 V DC	9-16 V DC	9-16 V DC	9-16 V DC
Sound Level (Unloaded)	67 dB	67 dB	67 dB	67 dB
Water Ingress Protection	IP68	IP68	IP68	IP68
Weight	3.2 lbs (1.45 kg)	3.2 lbs (1.45 kg)	3.3 lbs (1.5 kg)	3.7 lbs (1.68 kg)
Certifications	CE (2006/42/EC – Machinery Directive; 2014/30/EU – EMC Directive; 2011/65/EU – RoHS Directive), NMEA, BS EN 60945:2002, BS EN ISO 8846:2017, RCM, CAN ICES-3(B)/NMB-3(B)			

